

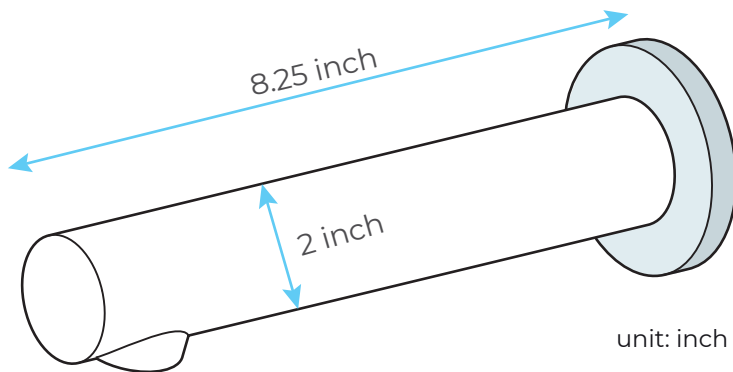
BRUSHED GOLD WALL MOUNT TOUCHLESS COMMERCIAL AUTOMATIC SENSOR FAUCET SPECIFICATIONS

Technical Information

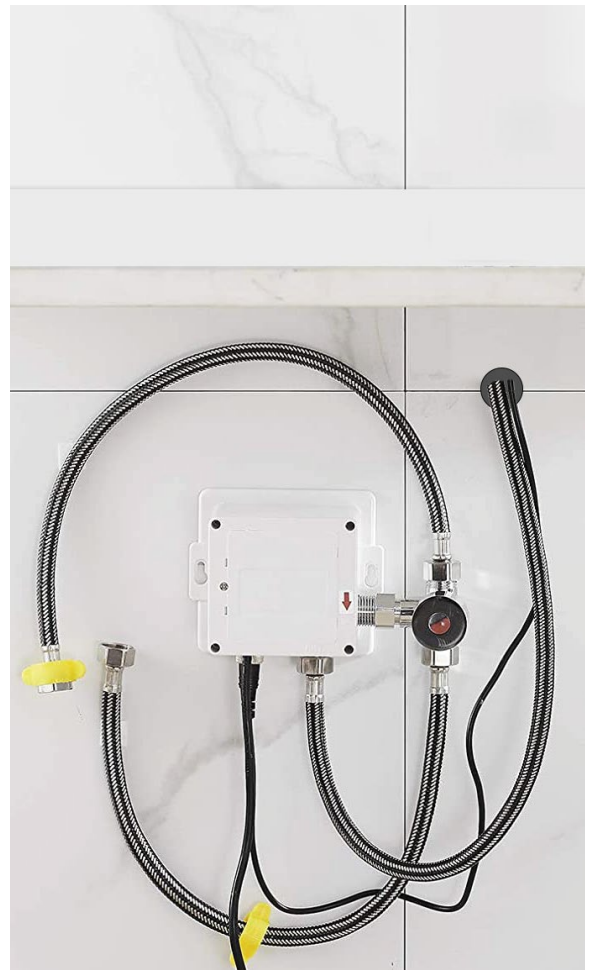


Installation Type: Wall Mounted
Installation Holes: One Hole
Valve Type: Ceramic Valve
Suitable water pressure: 0.3-1.2MPa
Temperature of environment: 1-45 °C (cold & hot water)
Power: AC/DC
Dia of inlet/outlet pipe: G1/2"
Inductive distance: 12-15 cm
Flow Rate: 1.8 GPM (6.81 L/min)

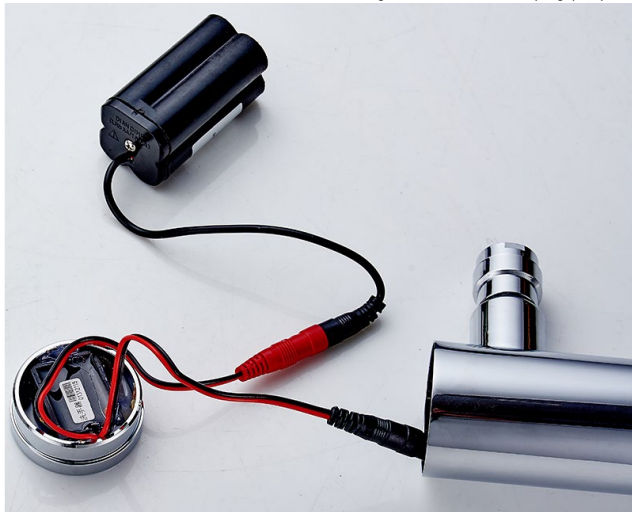
Size



Overview



Product shown is only for installation display purpose



All dimensions and specifications are nominal and may vary. Use actual products for accuracy in critical situations.